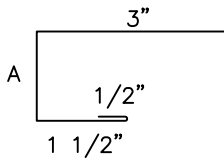
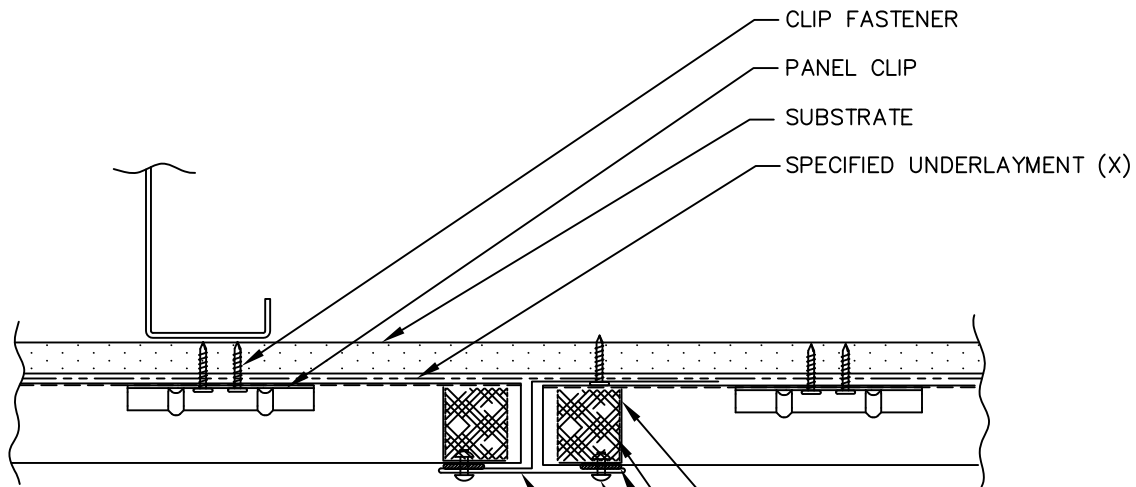
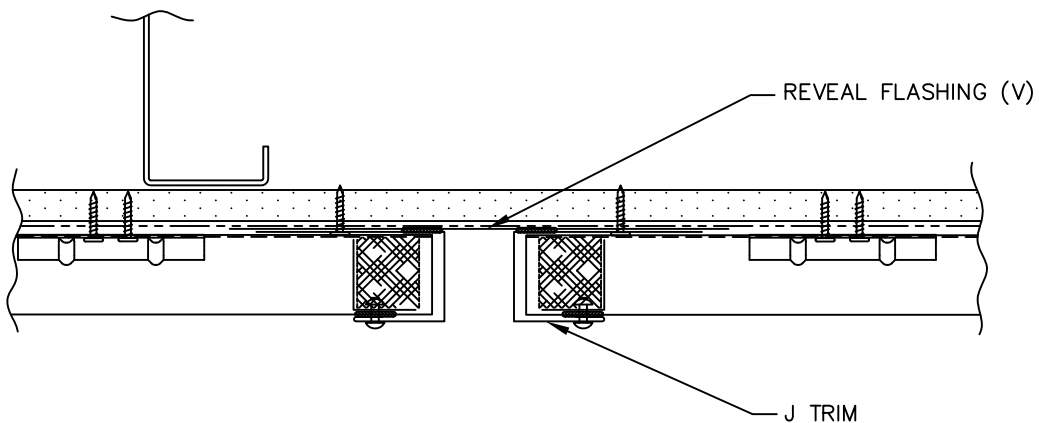


TRIM	DIM A	USAGE
MT111	1 1/2"	1.2FX FLUSH MOUNT
MT112	2"	1.2FX W/0.5" STANDOFF
MT109	1 3/4"	1.5FX FLUSH MOUNT
MT113	2 1/4"	1.5FX W/0.5" STANDOFF



TRIM	DIM A	USAGE
JT109	1 1/2"	1.2FX FLUSH MOUNT
JT110	2"	1.2FX W/0.5" STANDOFF
JT107	1 3/4"	1.5FX FLUSH MOUNT
JT111	2 1/4"	1.5FX W/0.5" STANDOFF

- CLIP FASTENER
- PANEL CLIP
- SUBSTRATE
- SPECIFIED UNDERLAYMENT (X)
- OPTIONAL FIELD FABRICATED CLOSURE COVER TRIM (X)
- OUTSIDE CLOSURE (SEALED & SECURED WITH SEALANT)
- CONTINUOUS BEAD OF NON-SKINNING BUTYL TAPE OR SEALANT
- TRIM FASTENER W/SEALING WASHER OR RIVET AT 12" O.C. MAXIMUM
- END SPLICE



(X) - NOT BY AEP SPAN  
 (V) - DIMENSIONS VARY BASED ON PROJECT CONDITIONS



**FLEX SERIES**  
 HORIZONTAL INSTALL.



END SPLICE (W/TRIM)

FXH-12